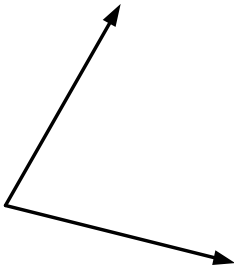
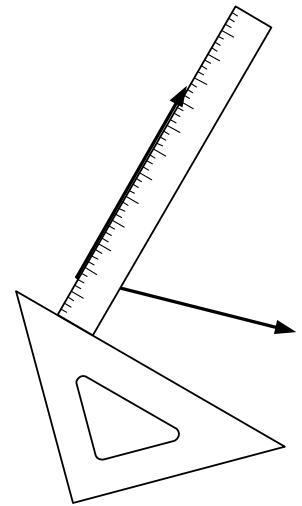


How to draw a parallelogram and to add two vectors I

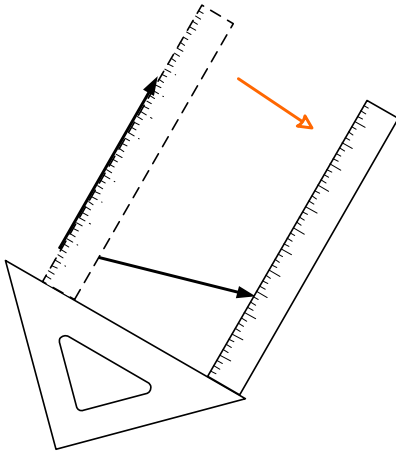
1. ↓ There are two vectors.



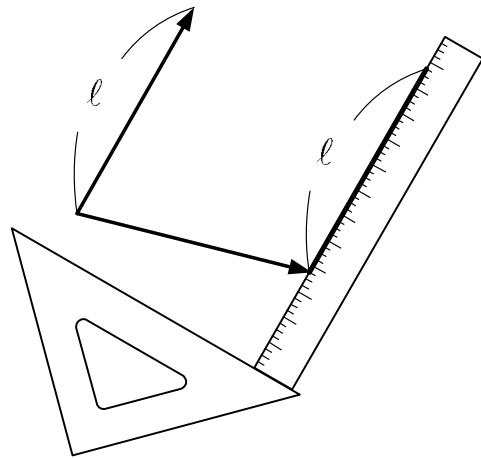
2. Use two rulers, or a ruler and a triangle ruler. Align one vector with a ruler and put the other as follows: ⇒



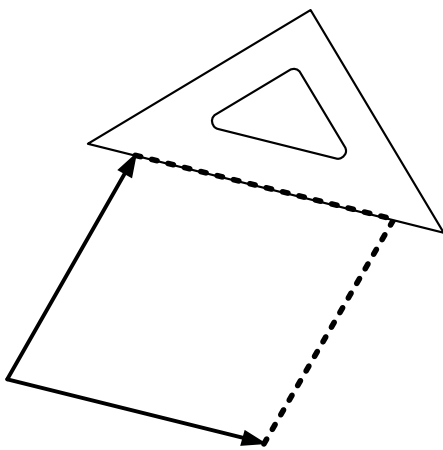
3. ↓ Slide the ruler to the tip of the other vector. Note that the triangle ruler must be fixed so the ruler can keep the direction.



4. Draw a line there. The length must be the same as the vector the other side. ↓



5. Draw the other line accurately so all of lines can make a parallelogram. ↓



6. Then, the diagonal from the tails is the addition of these vectors. Do not forget to put an arrow. ↓

